



# LHM 0626/00 Ceiling Loudspeaker



- **Suitable for speech and music reproduction**
- **Flush-mounting in ceiling cavity**
- **Easy to install**
- **Simple power setting**
- **Optional fire dome mounting**
- **Unobtrusive in virtually all interiors**
- **Complies with international installation and safety regulations**

Bosch range of loudspeaker offers a selection of units to meet most public address system requirements. And as a result of long and wide-ranging experience in all aspects of sound reinforcement, the unrivalled quality of these products can be guaranteed.

## Functions

An economic flushing-mounting ceiling loudspeaker is available for general purpose applications. This full range loudspeaker is suitable for both speech and music reproduction in shops, department stores, schools, offices, sports halls, hotels and restaurants.

The speaker assembly consists of a single-piece, 6W dual cone loudspeaker and frame, with a 100 V, matching transformer mounted on the back. A circular metal grille is an integrated part of the front. The appearance and neutral white color has been selected to be unobtrusive in virtually all interiors.

## Certifications and Approvals

All Bosch loudspeakers are designed to withstand operating at their rated power for 100 hours in accordance with IEC 268-5 Power Handling Capacity (PHC) standards. Bosch has also developed the Simulated Acoustical Feedback Exposure (SAFE) test to demonstrate that they can withstand two times their rated power for short durations.

This ensures extra reliability under extreme conditions, leading to higher customer satisfaction, longer operating life, and much less chance of failure or performance deterioration.

Safety acc. to IEC65

## Installation/Configuration Notes

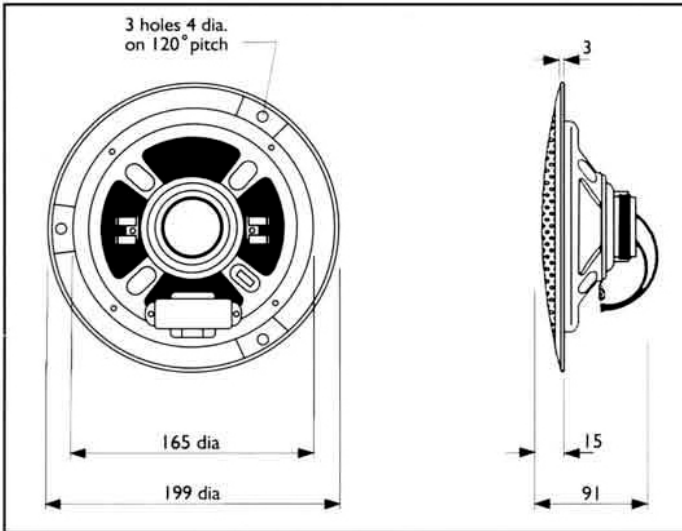
### Mounting

The assembly can be simply and quickly installed into a hole in the ceiling cavity and secured with three white-coloured screws (supplied) that match the grille.

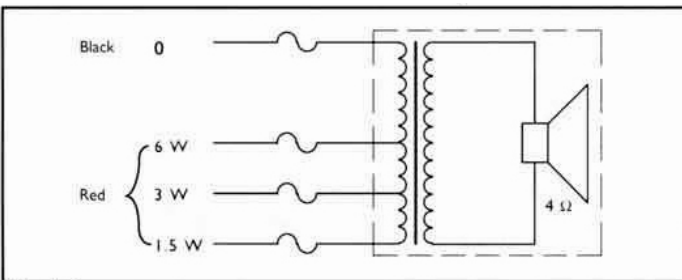
### Fire Dome

During a fire, the ceiling cavity in which loudspeakers are installed can allow flames to spread throughout a building. To prevent fire entering the cavity via the loudspeaker, the ceiling loudspeaker can be fitted with a protective steel fire dome (LBC 3080/01).

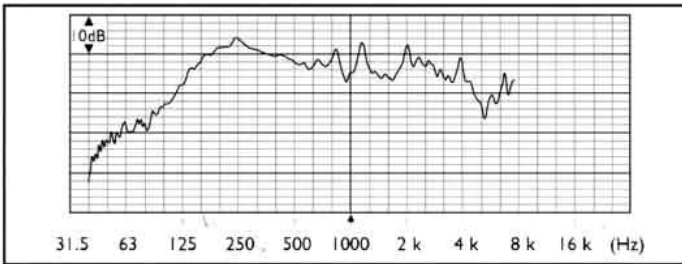
This optional fire dome is mounted on the loudspeaker assembly using four self tapping screws, supplied as standard. There are four knock-out holes; two (2) for rubber grommets (supplied) and two (2) for cable glands.



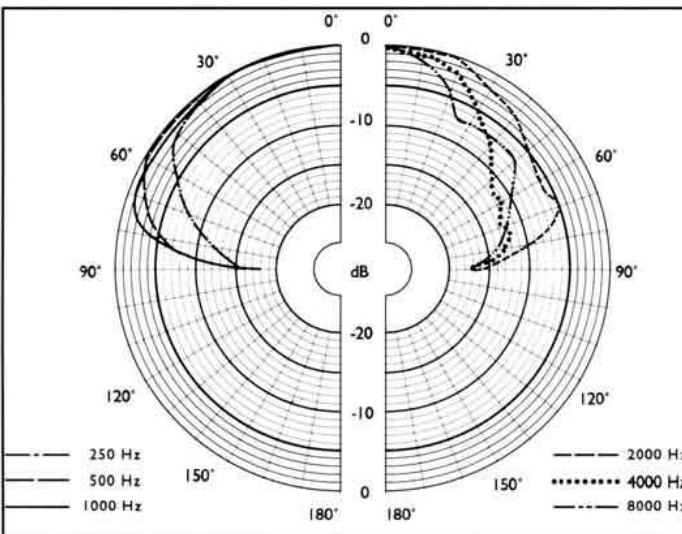
Dimensions (in mm)



Circuit diagram



Frequency response



Polar diagram (measured with pink noise)

Technical Specifications

**LHM0626/00**

Electrical

Maximum power	9 W
Rated power (PHC)	6 W (6 / 3 / 1.5 W)
Sound pressure level at 6 W / 1 W (1 kHz, 1 m)	100dB/ 92dB (SPL)
Effective frequency range (-10dB)	60 Hz to 20 kHz
Opening angle at 1 kHz/4 kHz (-6 dB)	170°
Rated voltage	100 V
Rated impedance	1667 ohm
Connection type	2 wires
Tapping connector	6W (default) /3W/1.5W

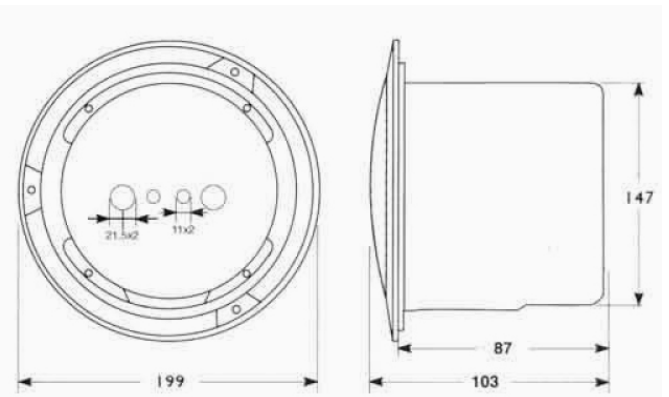
Safety

acc. to IEC65

Mechanical

Diameter	199 mm (7.8 inch)
Maximum depth	91 mm (3.6 inch)
Mounting cut-out dia.	165 mm (6.5 inch)
Speaker diameter	152.4 mm (6 inch)
Weight	900 g (1,265g with fire dome)
Color	White (RAL 9010)

LBC 3080/01 Fire Dome (optional)



LHM 0626/00 + LBC 3080/01 Fire dome assembly dimensions in mm

**Europe, Middle East, Africa:**  
 Bosch Security Systems B.V.  
 P.O. Box 80002  
 5600 JB Eindhoven, The Netherlands  
 Phone: + 31 40 2577 284  
 Fax: +31 40 2577 330  
 emea.securitysystems@bosch.com  
 www.boschsecurity.com

**Americas:**  
 Bosch Security Systems, Inc.  
 130 Perinton Parkway  
 Fairport, New York, 14450, USA  
 Phone: +1 800 289 0096  
 Fax: +1 585 223 9180  
 security.sales@us.bosch.com  
 www.boschsecurity.us

**Asia-Pacific:**  
 Bosch Security Systems Pte Ltd  
 38C Jalan Pemimpin  
 Singapore 577180  
 Phone: +65 6319 3450  
 Fax: +65 6319 3499  
 apr.securitysystems@bosch.com  
 www.boschsecurity.com